

PortaDot P50-25

Marking Window
50mm x 25mm

Weight
2.3kg

Versatile, lightweight handheld marking machine. Suitable for majority of applications.

Supplied with quick change face masks for marking on curved or flat surfaces. Also available with optional long-reach face mask and nosepiece.

Standard 4000 embedded controller provides full range of marking and control features. Optional battery powered version of the controller is available.



STANDARD FEATURES (MCYPD5025E)

- 4000 Embedded Controller
- Electromagnetic solenoid driven Dot Peen marking /
- 90° stylus, 50mm long, 4mm diameter, carbide tip
- Supplied with 2 quickly interchangeable facemasks – for flat and curved parts
Marking gap set by sliding masks forward/back
- Top mount handle to ensure marker can be held down firmly while marking

APPLICATIONS

- Immobile, large/heavy components
- High variety of components
- Asset labelling
- Security marking
- Construction applications

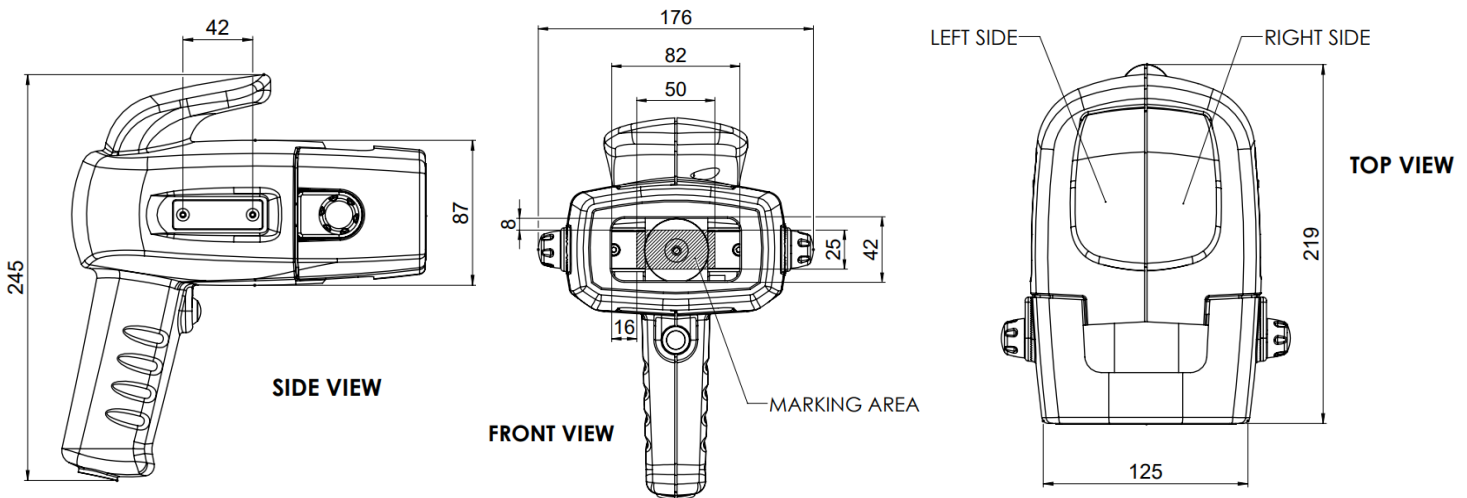
OPTIONAL VERSIONS

Benefits / Requirements

Option code

Battery powered controller	4000 controller with battery power, charger, spare battery and external mains supply	OPTPD5025B
PC based software control	Drag and drop editor, user admin rights, connectivity. PC required.	OPTM2019A
Longer head cables	Marking at 6m or 10m from controller. Reduced maximum marking force	OPTCB06A OPTCB10A
Alternate nosepiece/stylus	Various - wider/shallower tip angle, IAQG spec, longer reach	-

TECHNICAL DATA		● Standard ○ Optional	Product / Option Code
Marking area	50mm x 25mm	●	MCYPD5025
Weight	Head & Cable = 2.3kg; With controller = 7.3kg	●	MCYPD5025E
Dimensions	W: 176mm H: 245mm D: 219mm	●	MCYPD5025
Nosepiece & stylus	Electric Solenoid - 50mm long, 4mm diameter, 90° carbide tip stylus Various alternatives available	● ○	-
Controller/supply requirements	Controller 4000 4000 Battery Controller	Supply requirements 230V 50Hz / 110V 60Hz 36V, 3.0Ah rechargeable Li-Ion battery	● ○ MCYPD5025E MCYPD5025B
Head cable length	3m 6m 10m	● ○ ○	- OPTCB06A OPTCB10A
Construction	Aluminium internals, tough plastic case	●	-
Operating temperature	0°C - 80°C (32°F - 176°F)	●	-
Workpiece hardness	Max. 62 HRC (800HV)	●	-
Marking type	5x7, 7x9, Varidot, HPGL, BMP Logos, True Type Fonts, Data Matrix	●	-
Character sizes	0.21mm - 24.99mm in 0.21mm increments	●	-



All measurements in millimetres unless otherwise stated

COMPATIBLE ACCESSORIES	Description	Product Code
Extended Facemask	Facemask with 2 supports for accessing difficult locations / marking uneven surfaces. Supplied as kit with extended nosepiece and stylus	ACCPD5025EM
Trolley	Head stand and pull out drawer for controller. Comes with cover.	ACCPD5025TR
Base and Column	For fixing P50-25 marker in place for benchtop marking	ACCPD5025BC
Balancer	For suspending	ACCPD5025BL
Barcode Reader	RS232/USB barcode scanner; select programme or input marking data	VISBR001
Custom Facemasks	Custom designed facemasks for marking specific components	-
Protective Boot	Protective boot to prevent ingress of dirt around stylus/solenoid	ACCPD5025PB